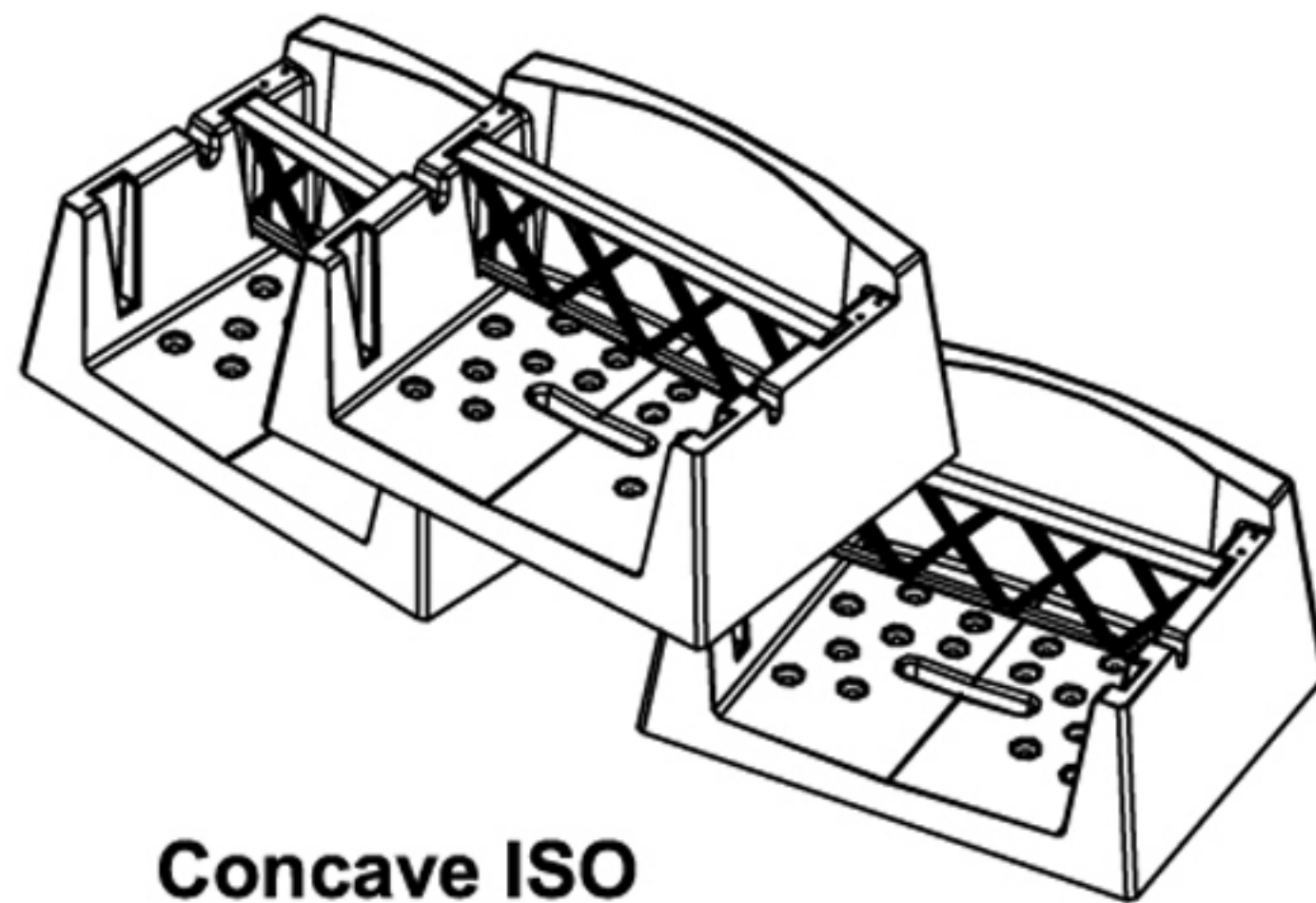
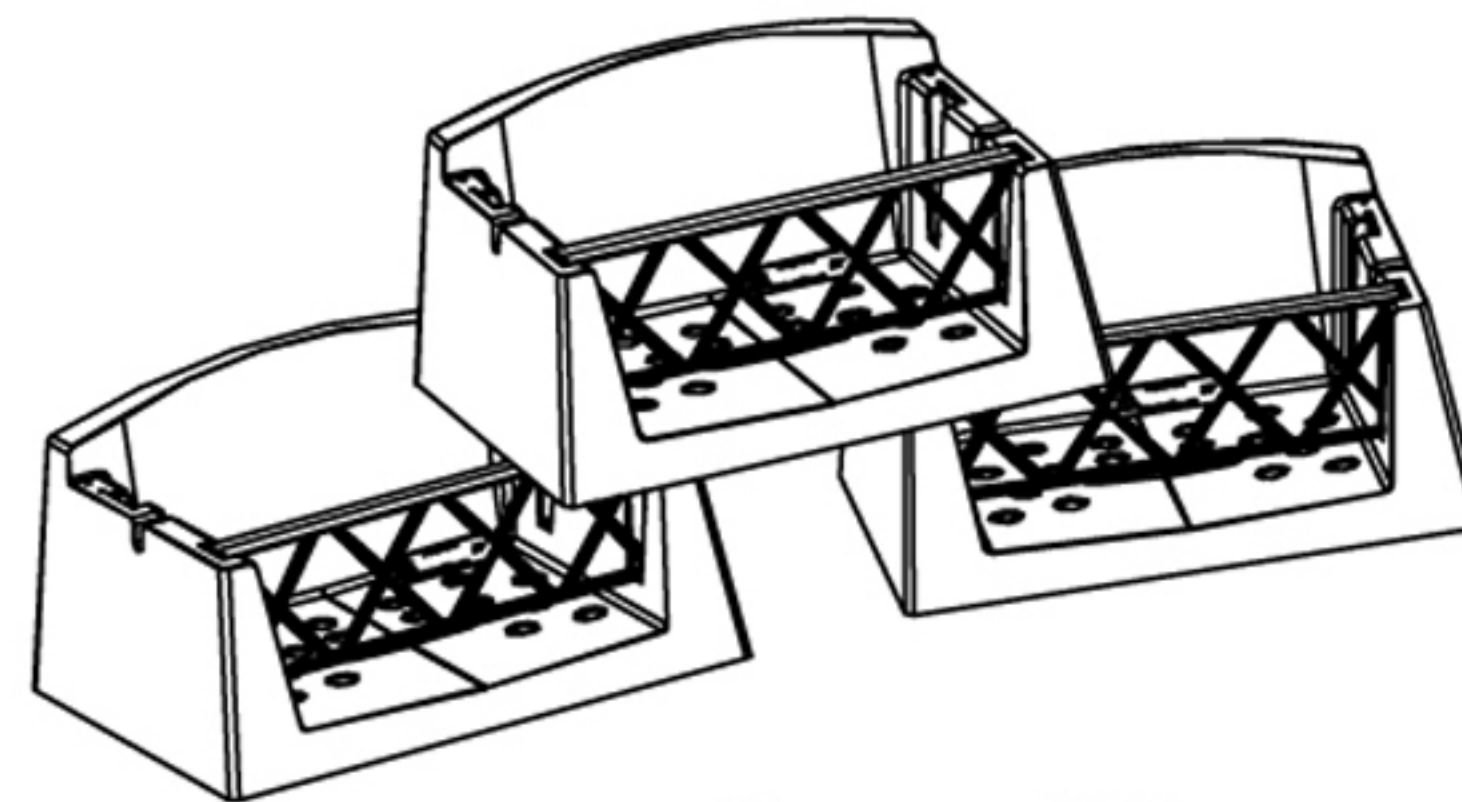


Concave Front Slot Use



Concave ISO



Convex ISO



These graphic representations are intended for preliminary design purposes only and are not to be used for construction without the signature of a registered professional engineer.

Scale:
None

SmartRadius Support in Use
(2 of 2)