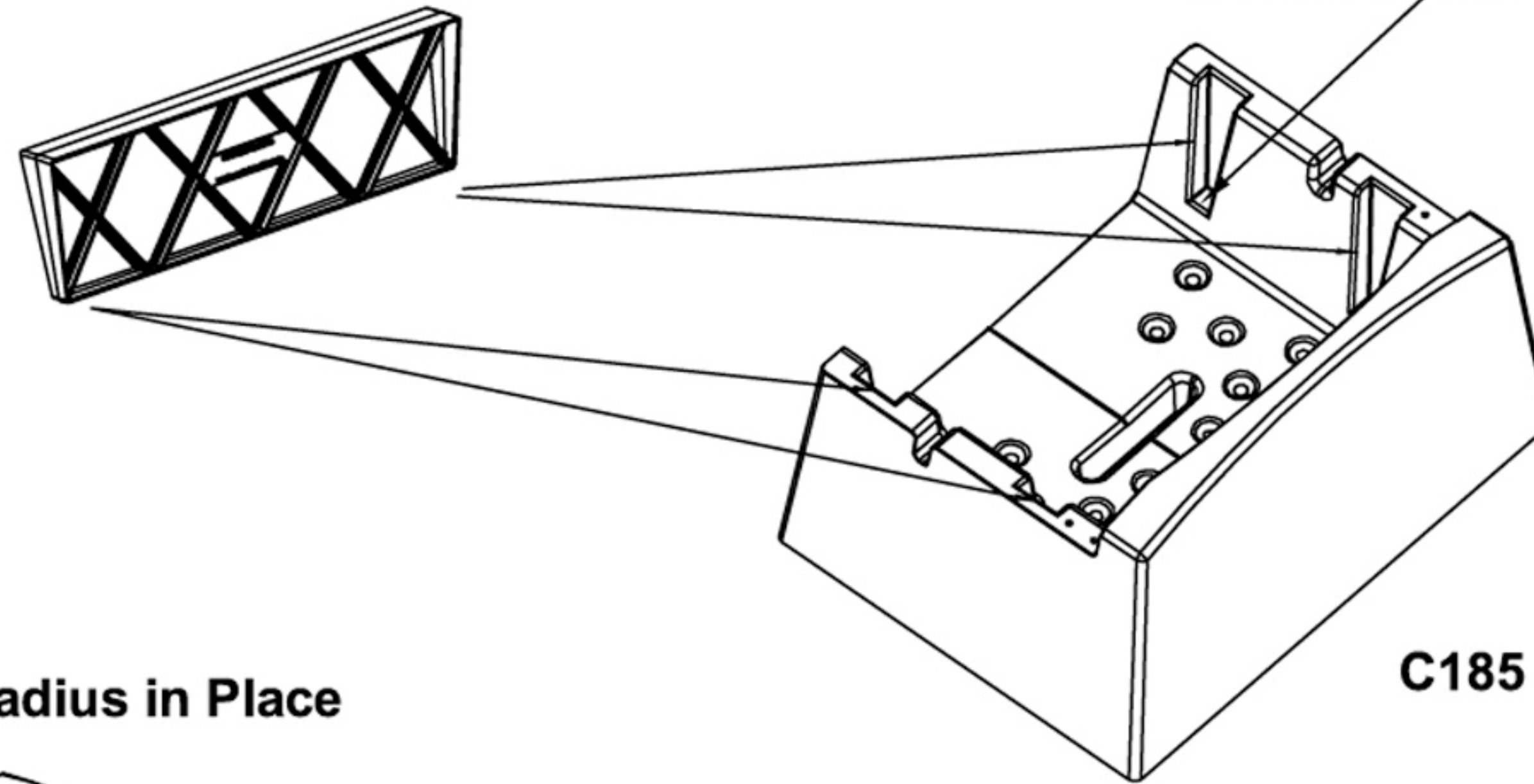
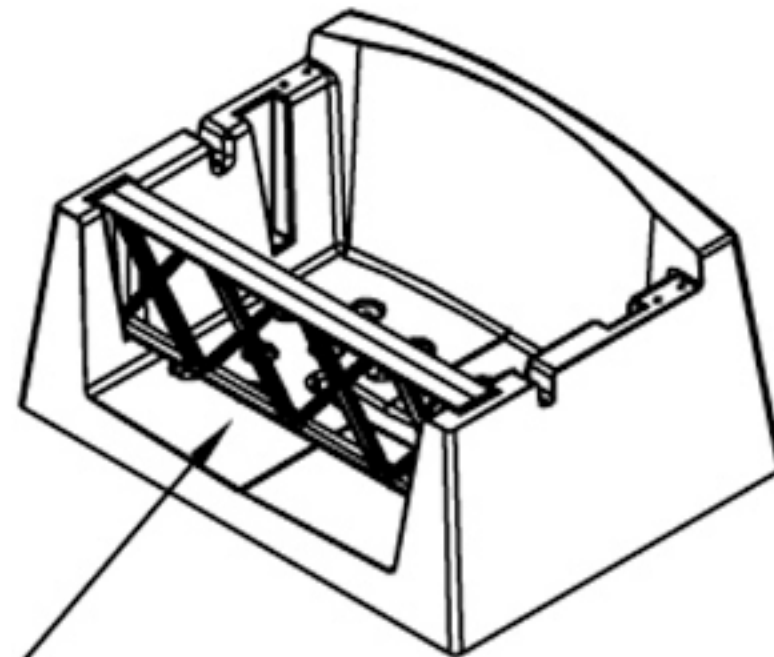


SmartRadius rests at bottom of slot to allow SmartGrid to pass beneath.



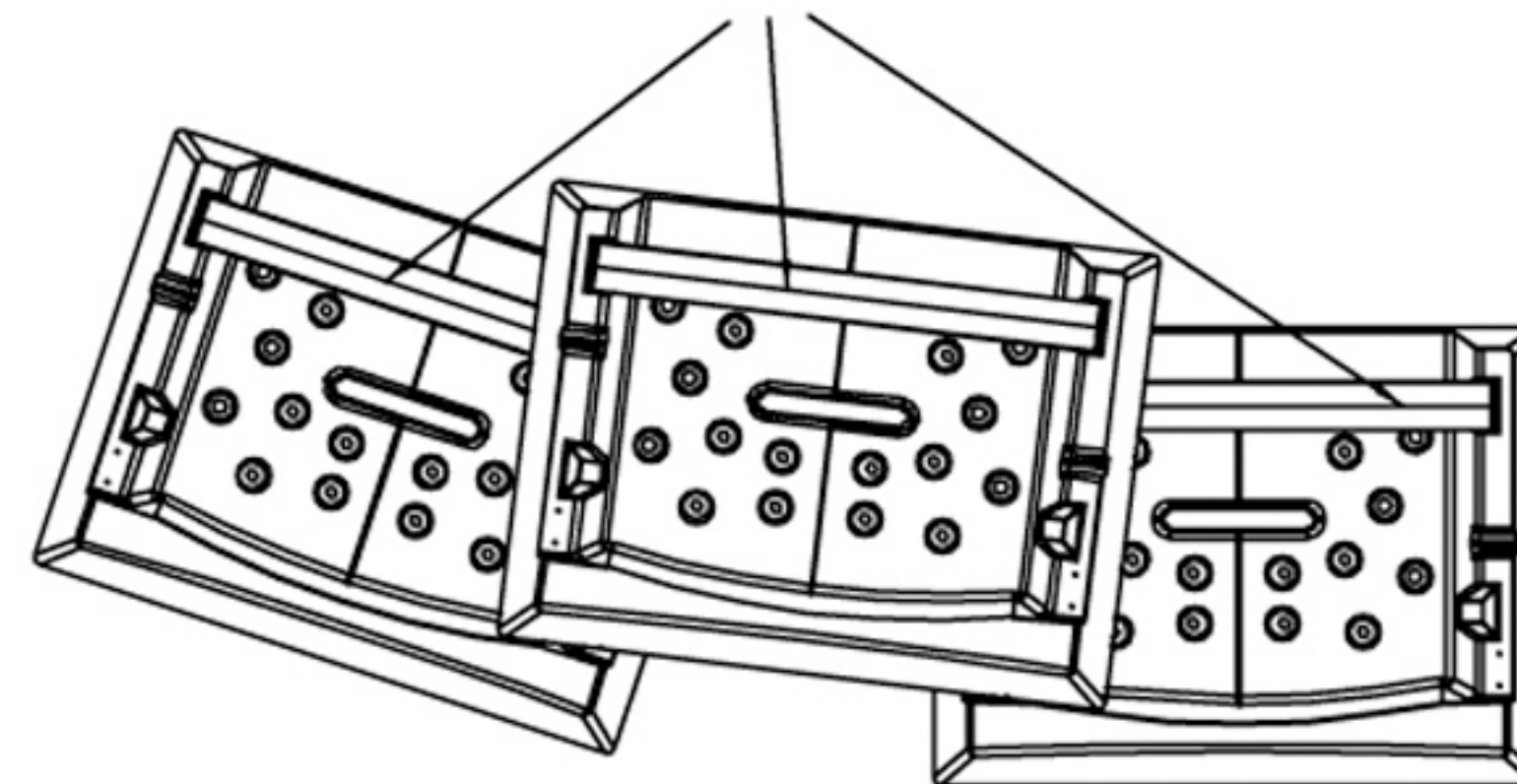
C185 Module

Rear View with SmartRadius in Place



SmartGrid may be used simultaneously with the use of SmartRadius since the supports do not rest on the bottom of the module's trough.

SmartRadius



Convex Rear Slot Use



These graphic representations are intended for preliminary design purposes only and are not to be used for construction without the signature of a registered professional engineer.

Scale:
None

SmartRadius in Use
(1 of 2)