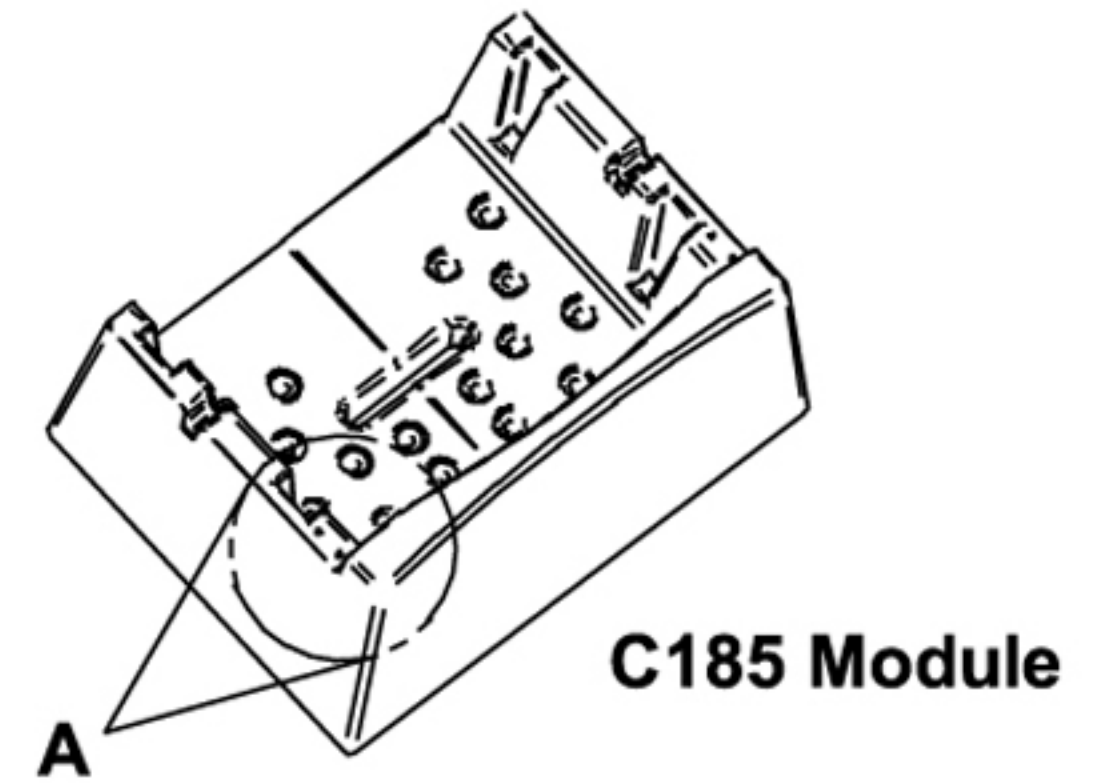
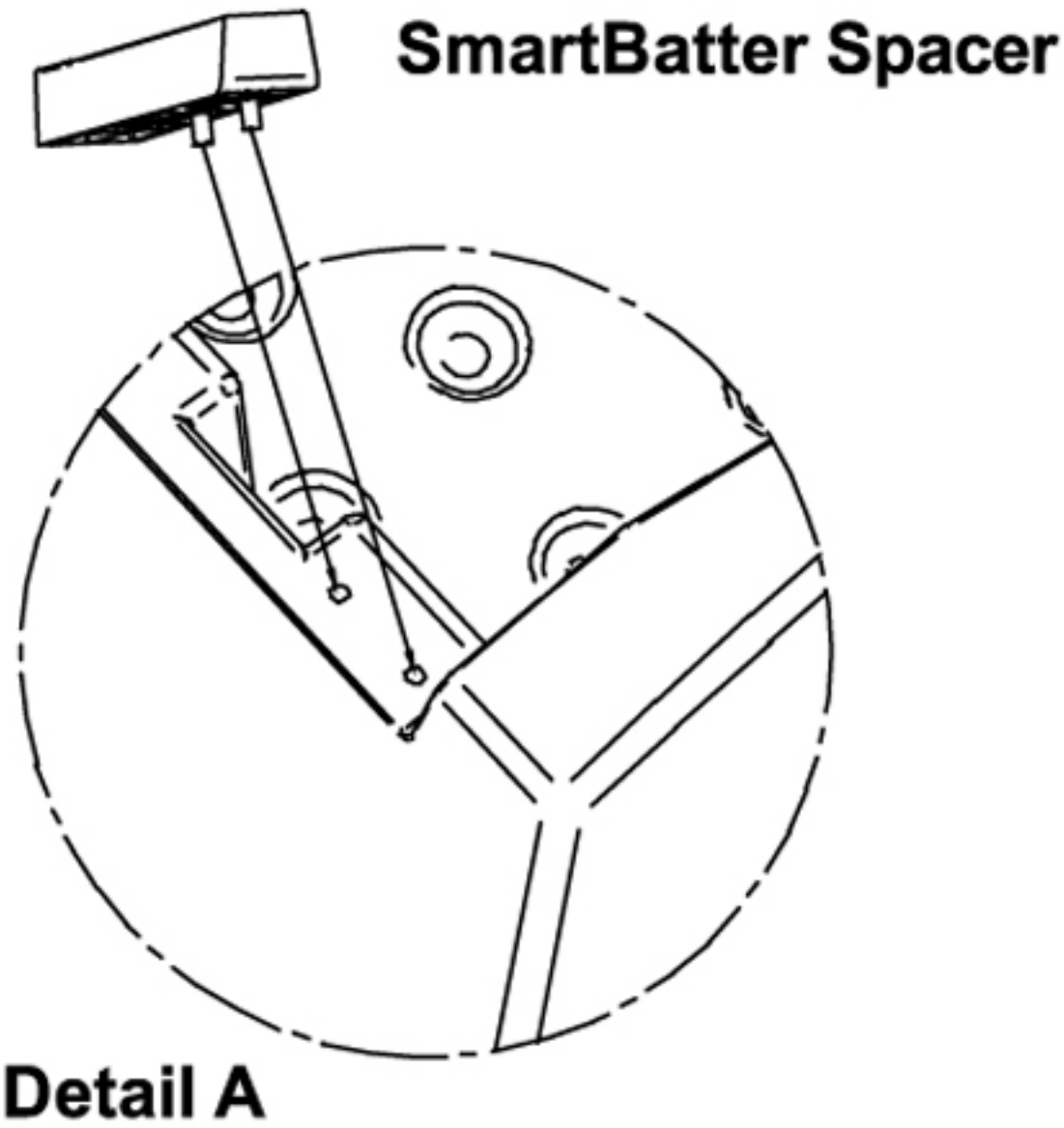


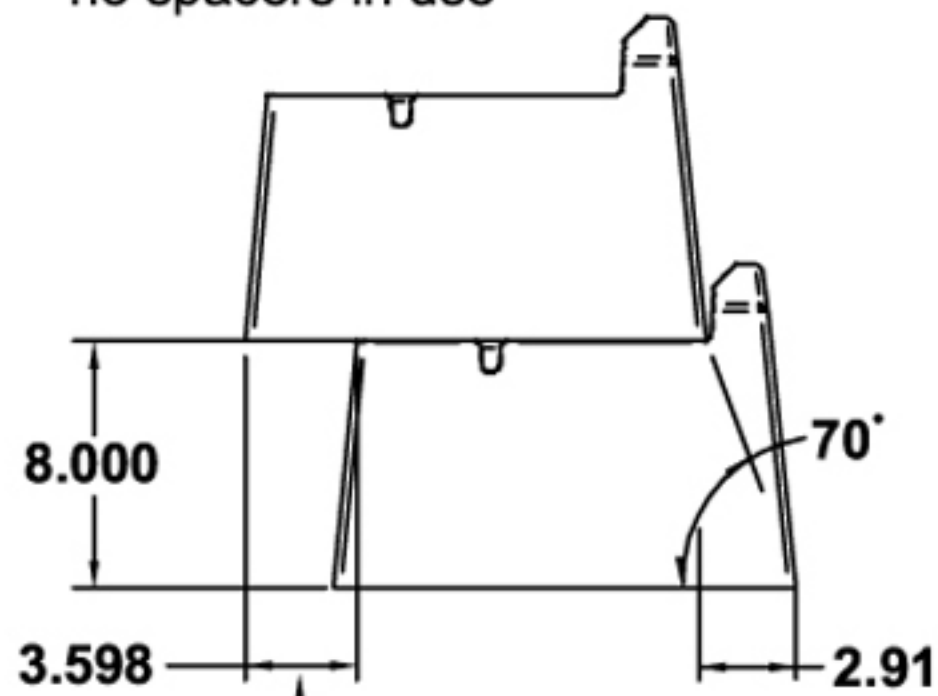
C185 ISO View with 60 Degree Spacers



C185 Module

Detail A

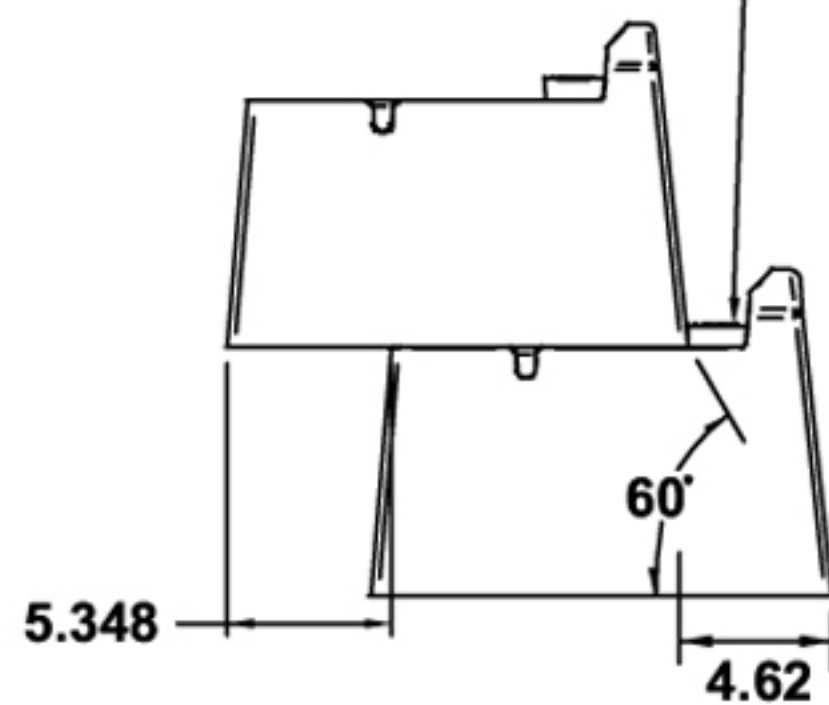
C185 Module with no spacers in use



overhang of upper module

70 Degree Wall

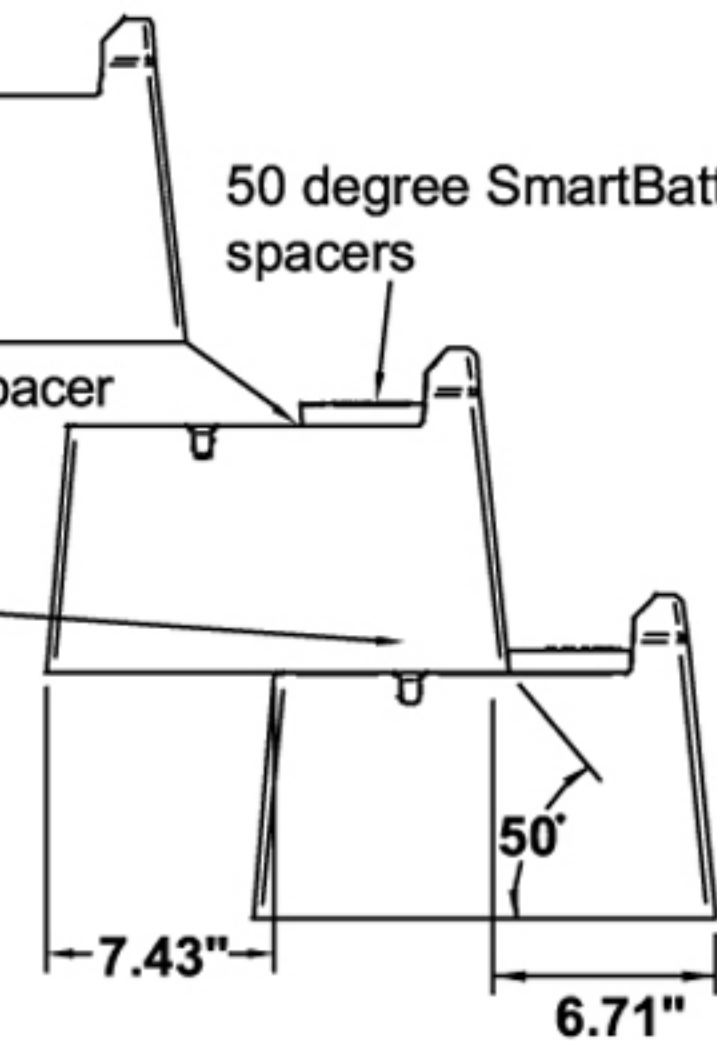
60 degree SmartBatter spacers



60 Degree Wall

50 degree SmartBatter spacers
register module against spacer

slightly more than 50% of upper module rests on lower module



50 Degree Wall



These graphic representations are intended for preliminary design purposes only and are not to be used for construction without the signature of a registered professional engineer.

Scale:
None

SmartBatter Spacer in Use